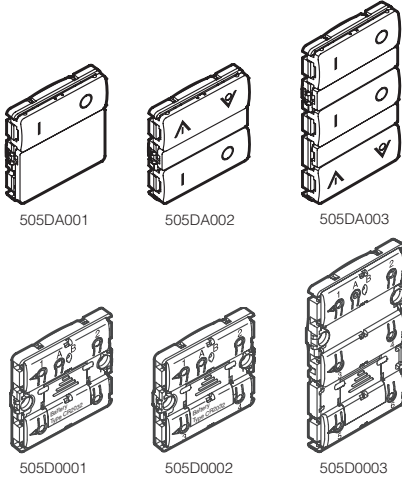


by Schneider Electric

## LK IHC® Wireless Control Switch LK FUGA



A: 0=without cover, 5=grey, 6=white, 8=coalgrey

### For your safety



**DANGER**

#### Risk of fatal injury from electrical shock.

Work on the mains voltage may only be performed by a skilled electrician. Observe the countryspecific regulations. Work on the mains voltage is necessary if, for example:

- You are mounting the device onto a flush-mounted box with 230 V cables or
- an existing switch/socket-outlet combination has to be dismantled.

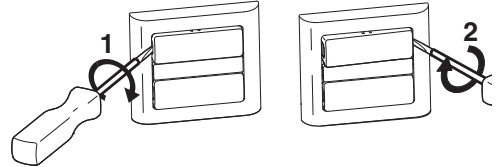
### Application

LK IHC® Wireless control switch is used for wireless remote control of lights and other electrical equipment. Using simple programming, the control switch can be connected to components in an IHC Wireless "stand-alone" system. If more advanced programming is required, the control switch can be used in conjunction with IHC Control, where it is connected to the IHC Controller. The control switch can be mounted in a box or directly on the wall with wood screws. Alternatively, the button can be mounted with IHC Wireless adhesive pads, for example on glass or furniture.

### Design

The control switch's rockers can be activated on both sides. To access the programming buttons and LEDs, remove the upper rocker. The control switch is equipped with a battery of type CR2032. The product comes with on/off rocker(s), up/down rocker and cover bar(s).

### Programming

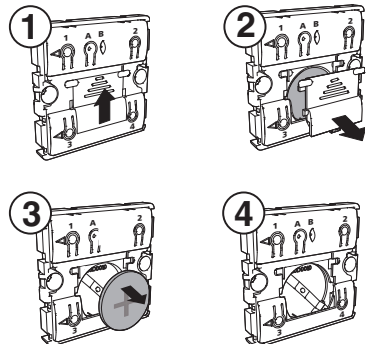


To program the control switch, the rocker must be removed first. This can be done by carefully inserting a screwdriver or similar tool into the left and right side respectively and wiggling/tilting it until the rocker loosens at the sides. Then remove the rocker, and you get access to buttons and LED for programming.

The procedure for programming the control switch is the same as for other LK Wireless products and is explained in the common guide for LK Wireless (019D904122). If the control switch will be used with IHC Control, the product is inserted as a component in IHC Visual and linked. By linking, previous programming will be deleted.

### Battery replacement

Follow steps 1-4 below. The rockers can be removed as described under programming.



Used batteries must be disposed of in accordance with local regulations.

## Necessary accessory

For inserts without rockers you need to buy rockers before the product will work.

## Technical data

Battery	3 V button cell type CR2032
Battery life	Depending on usage patterns, typically 5-7 years, about 20.000 activations.
Transmission frequency	868 MHz
Operating temperature approx.	-5 °C to +50 °C
Humidity	20% - 95% Non-condensing
Protection rating	IP 20
Module size	1 or 1.5 M FUGA
Directives	See online catalogue
Standards	See online catalogue

## Disposal



The product must be disposed of in accordance with the WEEE Directive on the disposal of waste electrical and electronic equipment. (Directive 2002/96/EC)

## Lauritz Knudsen

Schneider Electric Danmark A/S · Lautrupvang 1 · 2750 Ballerup · Phone 88 30 20 00 · [www.lk.dk](http://www.lk.dk)

### Tangent designer

You can use our website to design your own rockers with text and symbols.

The address is [bestil.lk.dk](http://bestil.lk.dk).

